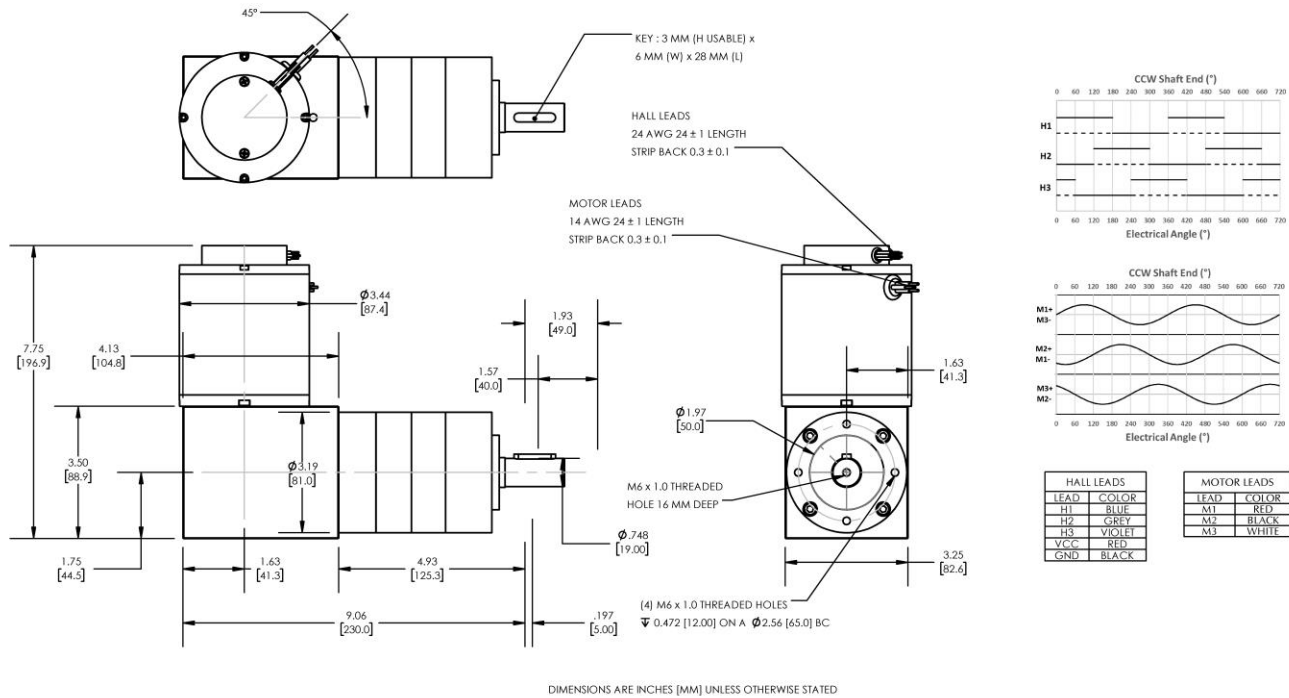


**Model Number:**

## MMP BL86-425D-24V GRA81-051



PLANETARY GEARMOTOR OUTPUT PARAMETERS:	VALUE	UNITS	TOLERANCE
Gearhead Ratio (exact)	50.89 : 1		
Gearhead Shaft Output Speed (at full-load)	71	RPM	MAX
Gearmotor Rated Continuous Torque	276	In-Lbs	MAX
Gearmotor Rated Peak Torque	704++	In-Lbs	----
Gearhead Standard Backlash	36	Arc Minutes	MAX
Gearhead Efficiency	70%	----	----
Output Shaft Radial Load Capacity	225	Lbs	MAX
Output Shaft Axial Load Capacity	45	Lbs	MAX
Gearmotor Total Weight	15	Lbs	MAX

++ All Peak Torque values are dependent upon duty. Contact our sales office for details.

DC MOTOR PERFORMANCE PARAMETERS:	VALUE	UNITS	TOLERANCE
Rated DC Voltage	24	DC VOLTS	----
Rated Continuous Current	20.5	AMPERES	----
No-Load Speed	5000	RPM	MAX
Rated Speed	3595	RPM	+/- 15%
Rated Continuous Power Out	330	WATTS	+/- 15%
Rated Continuous Torque	124	OZ-IN	----
Peak Torque (motor only)	316	OZ-IN	----
No-Load Current	1.39	AMPERES	MAX
Back EMF Constant (Ke)	4.8	V/KRPM	+/- 10%
Torque Constant (Kt)	6.5	OZ-IN/AMP	+/- 10%
DC Armature Resistance	0.33	OHMS	+/- 15%
Armature Inductance	0.27	mH	+/- 15%
Armature temperature	155	DEG. C	MAX

**NOTES:**

- ENCODER & BRAKE OPTIONS AVAILABLE – [FOLLOW THIS LINK FOR DETAILS](#)
- NEMA MOUNTING FLANGE OPTION AVAILABLE – [FOLLOW THIS LINK FOR DETAILS](#)